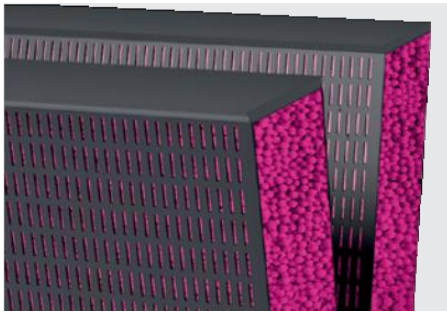


## CARBON FILTERS - GAS PHASE FILTRATION



<b>Applications</b>	<b>Proven performance and low whole-life costs</b>	<b>Design</b>
<p>Carbon Modules are the rugged plastic housings that contain our chemical filtration pellets. They come in a range of four sizes to suit all applications and are designed for easy handling and replacement. They can be supplied pre-filled, direct from our production facilities, or refilled via their easy-access removable caps.</p>	<p>As with all our products, our Chem- Control Modules offer excellent airflow performance with low pressure drops. We have designed our modules to minimize maintenance time and reduce whole-life costs.</p>	<p>The design of your system will determine which size of module you require. Factors that need to be taken into consideration including available space, air-flow volumes, type and concentration of contaminants and desired media life.</p>

<b>Available Geometries</b>		<b>CCM 1810</b>	<b>CCM 1805</b>	<b>CCM 1210</b>	<b>CCM 1205</b>
<b>Dimensions (L x W x H)</b>	mm	598x438x144	299x438x144	598x295x299	299x295x299
<b>Pellet bed depth</b>	mm	25.4		76	



CCM 1810

CCM 1805

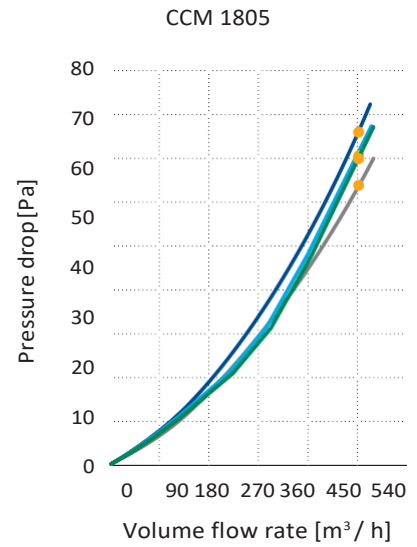
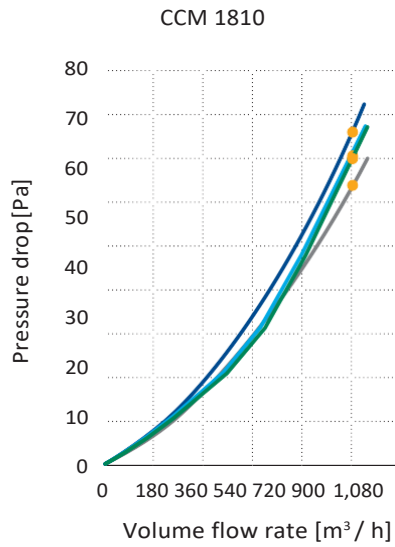
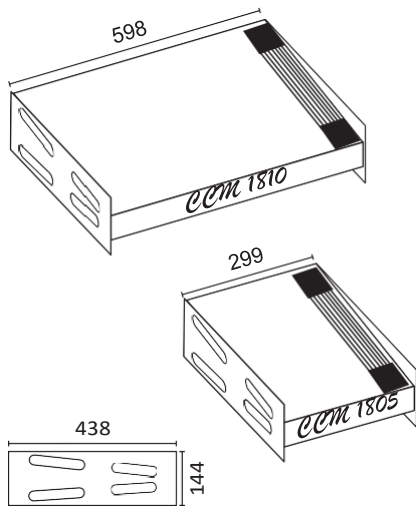


CCM 1205

CCM 1210

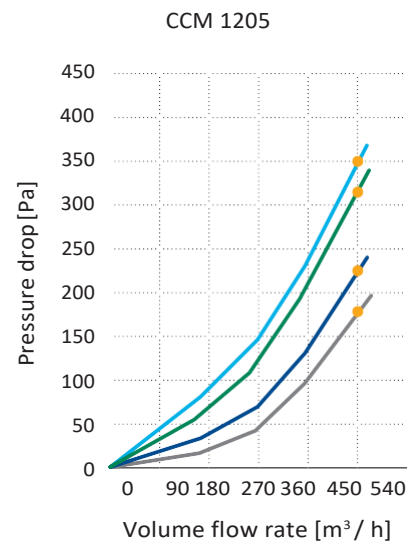
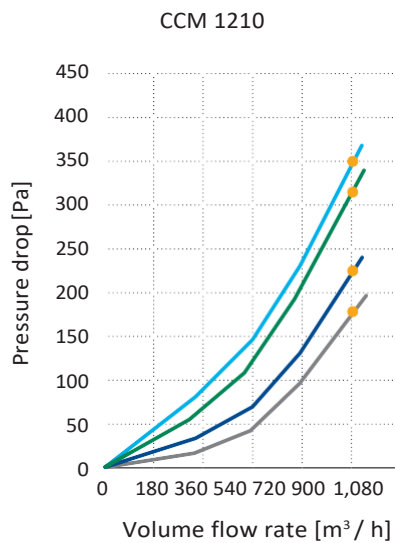
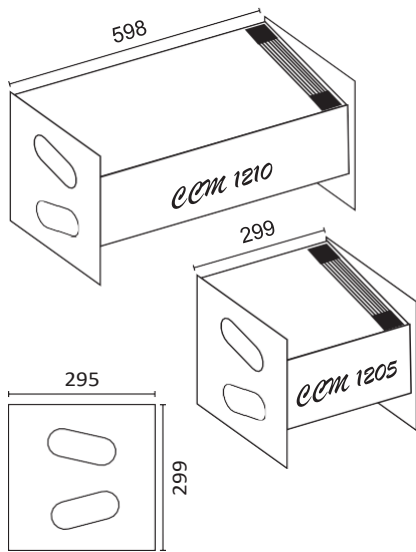
# TECHNICAL FILTER TEST DATA

## 18XX SERIES



■ CCP 104, CCP 108, CCP 210, CCP 310, CCP 510    
 ■ CCP 610    
 ■ CCP 810    
 ■ CCP 903    
 ● Nominal volume flow rate

## 12XX SERIES



■ CCP 104, CCP 108, CCP 210, CCP 310, CCP 510    
 ■ CCP 610    
 ■ CCP 810    
 ■ CCP 903    
 ● Nominal volume flow rate

The figures given are mean values subject to tolerances due to normal production fluctuations. Our explicit written confirmation is always required for the correctness and applicability of the information involved in any particular case. Subject to technical alterations.

